

LCD Alarm Conversion (Retro-Fit)



Features:

- LCD alarm panel incorporates the latest microprocessor based technology
- Smallest 8 gas alarm in the industry
- Auto detecting gas sensors
- Digital sensors can be mounted locally or remotely utilizing a #22 gauge stranded, shielded, twisted pair cable ONLY
- Sensors housed in a solid, tamper-proof enclosure to act as a barrier against any interference
- LCD brightness and volume is field adjustable
- LCD display readable in poor lighting conditions
- Self diagnostic and error message display for ease of maintenance
- Customizable screen text for displaying gas locations
- High / Low alarm set points for each gas are field adjustable


General Specifications:

The Digital LCD Area Alarm system shall be an Amico Alert-3 series, complete with a five-year warranty.

The LCD alarm shall be microprocessor based with a 10" [25.4 cm] screen and capable of monitoring up to 8 sensors. Sensors will be automated for gas specific detection.

Each sensor shall be gas specific and an error message shall be displayed for an incorrect connection.

Each specific gas service shall have a digital read-out comprising of 0-249 psi [0-1,717 kPa] for pressure and 0-30 inHg [-100-0 kPa] for vacuum. The digital read-out shall provide a continuous indication of each service being measured. A separate indicator shall be provided for each service indicating a green "NORMAL" and a red "HIGH" or "LOW" alarm condition.

If an alarm occurs, the green indicator will change to red and a continuous audible alarm will sound. Pushing the  (mute button/push to test button) will cancel the audible alarm, but the unit will remain in the alarm condition until the problem is rectified.

The default set-points shall be +/- 20% variation from normal condition. In the calibration mode High/Low set-points shall be adjustable by on board push buttons. To view the set points and audible alarm sound level, press and hold the mute button for twenty (20) seconds.

The frame assembly can be added to an existing alarm panel in the field with the addition of a filler frame.

LCD Sensor operating pressure range:

Mid-Pressure: (0 psi to 99 psi) - OXY, AIR, N₂O, CO₂
 Vacuum: (0 inHg to 30 inHg) - VAC, WAGD, AGSS
 High-Pressure: (0 psi to 249 psi) - NIT, IAR

Input power to the Amico Alert-3 alarm is: 115-220 VAC, 50-60 HZ.

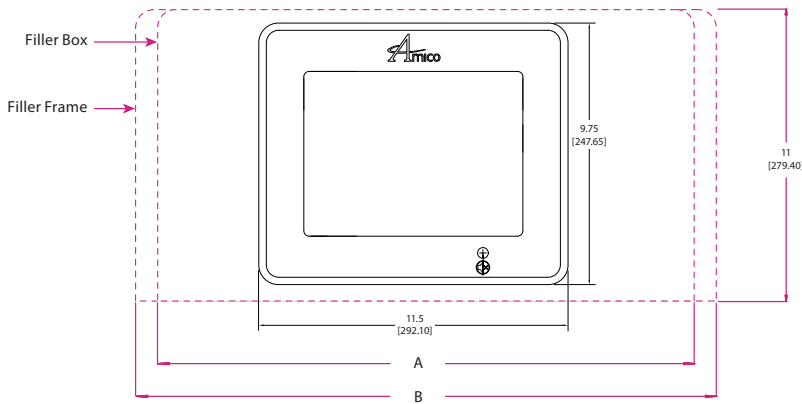
The Amico Alert-3 LCD Alarm is cETLus listed to UL standard 1069 and CSA standard C22.2 No. 205.

Amico products comply with NFPA 99, CSA Z7396.1 and CSAZ305.1.

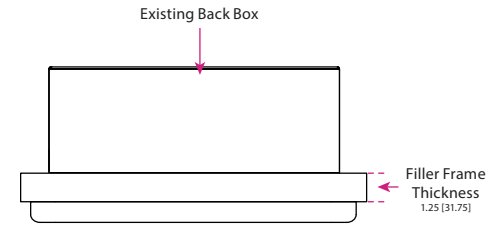
The Amico Alert-3 LCD Alarm complies with the following electromagnetic compatibility standards: FCC Part 15 Class A and ICES-003 Class A.

Technical Specifications

Front View

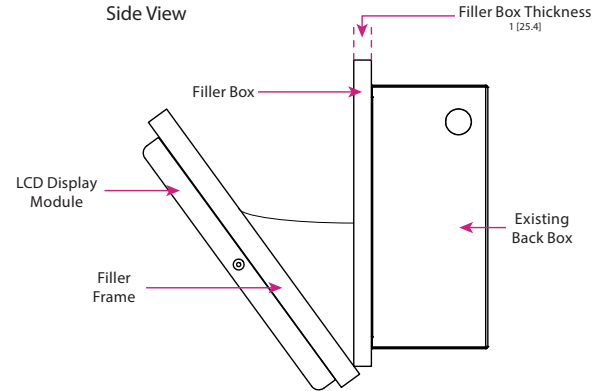


Top View



Inch
[mm]

Side View



Number of Display Modules (existing)	A (Filler Box)	B (Filler Box)	Number of Gangs
From 1 to 2 modules	12.75 (324)	N/A	3
From 1 to 3 modules	16 (406)	16.25 (413)	4
From 1 to 4 modules	19.3 (490)	19.56 (497)	5
From 1 to 6 modules	25.9 (658)	26.25 (667)	7

Filler Frame Part Numbers

A3P-LCD-FILLER-4	Alert-3 LCD Conversion Alarm Filler Frame 4-Station
A3P-LCD-FILLER-5	Alert-3 LCD Conversion Alarm Filler Frame 5-Station
A3P-LCD-FILLER-7	Alert-3 LCD Conversion Alarm Filler Frame 7-Station

IMPORTANT NOTE:

Due to unknown factors of the existing equipment, projects requiring Retro-Fit Conversions must be fully investigated by the installer.

It is the responsibility of the installer to determine if the Retro-Fit will function correctly and if additional components are required. Amico is not responsible for any additional components required.

Model Numbers

A3AC-L-XXXXXXXX

C = Conversion (Retro-Fit)

The Letter "L" Defines the Language:

- U = English (NFPA)
- E = English (CSA/ISO)
- F = French (CSA/ISO)
- S = Spanish (NFPA)

The Letter "X" Defines the Type of Gas:

- O = Oxygen
- A = Medical Air
- V = Medical Vacuum
- 2 = Nitrous Oxide
- N = Nitrogen
- C = Carbon Dioxide
- W = WAGD (NFPA)
- E = AGSS (ISO)
- I = Instrument Air

Example:

If the Alarm is converting from an Ohio Alarm consisting of oxygen, medical air and vacuum then the following part number is applicable for the conversion = **A3AC-U-OAV**

Notes:

1. An LCD Filler Frame is required if the existing alarm width is more than 10 inches.
2. Specify if converting from digital or analog. Please also note if there are any special requirements.
3. An Ohio Alarm requires a trim plate to cover the bottom gap.